

Assembly Instructions

Archer 6-drawer Dresser

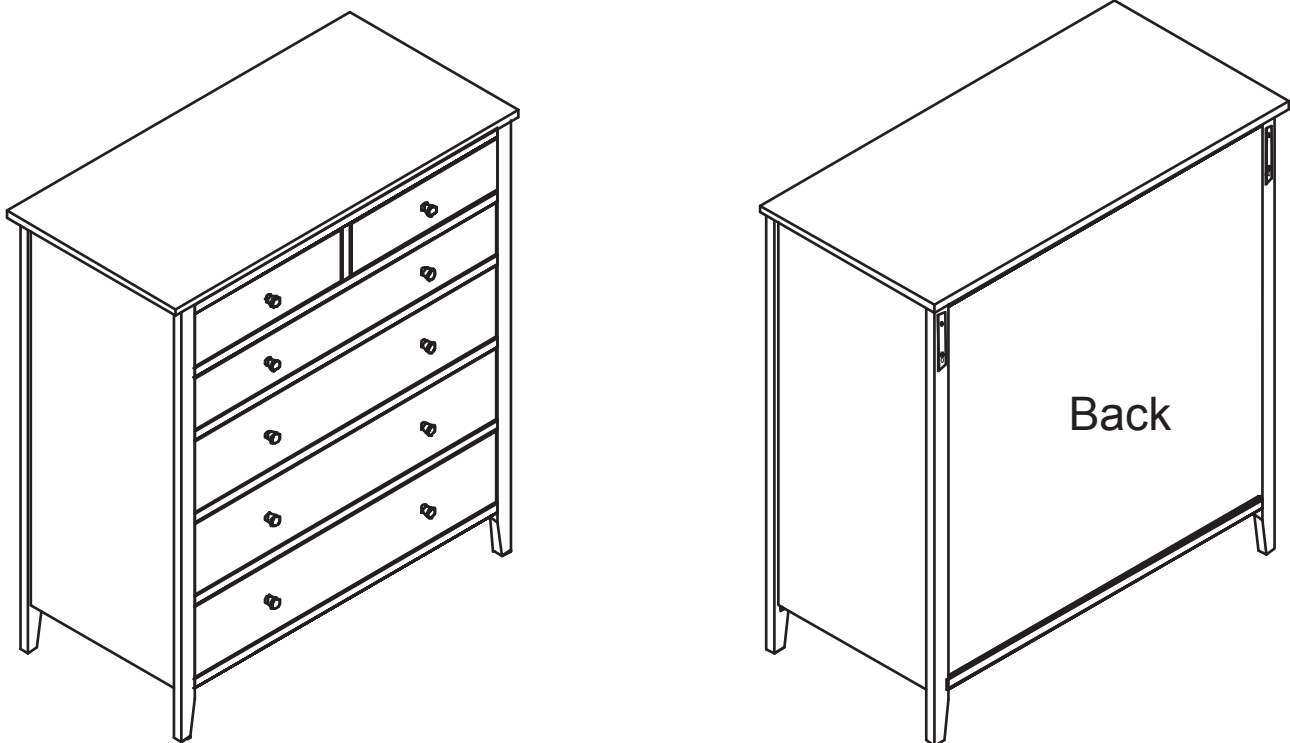
- Before you begin to assemble your new piece of furniture, please check to ensure that all parts have been supplied.
- Follow instructions closely as deviation from them may void your warranty and present a possible safety risk.
- It is recommended that assembly is done on a soft surface like carpet to avoid any damage.
- If you experience any problems with your new purchase please phone our Customer Service Hotline 1800 807 416 (Customers outside Australia should contact their closest Freedom store.)

Care Information

Periodically check and re-tighten any fasteners. Wipe down all surfaces weekly with a clean cloth. Do not clean any surfaces with harsh abrasives or chemicals.

Hardware

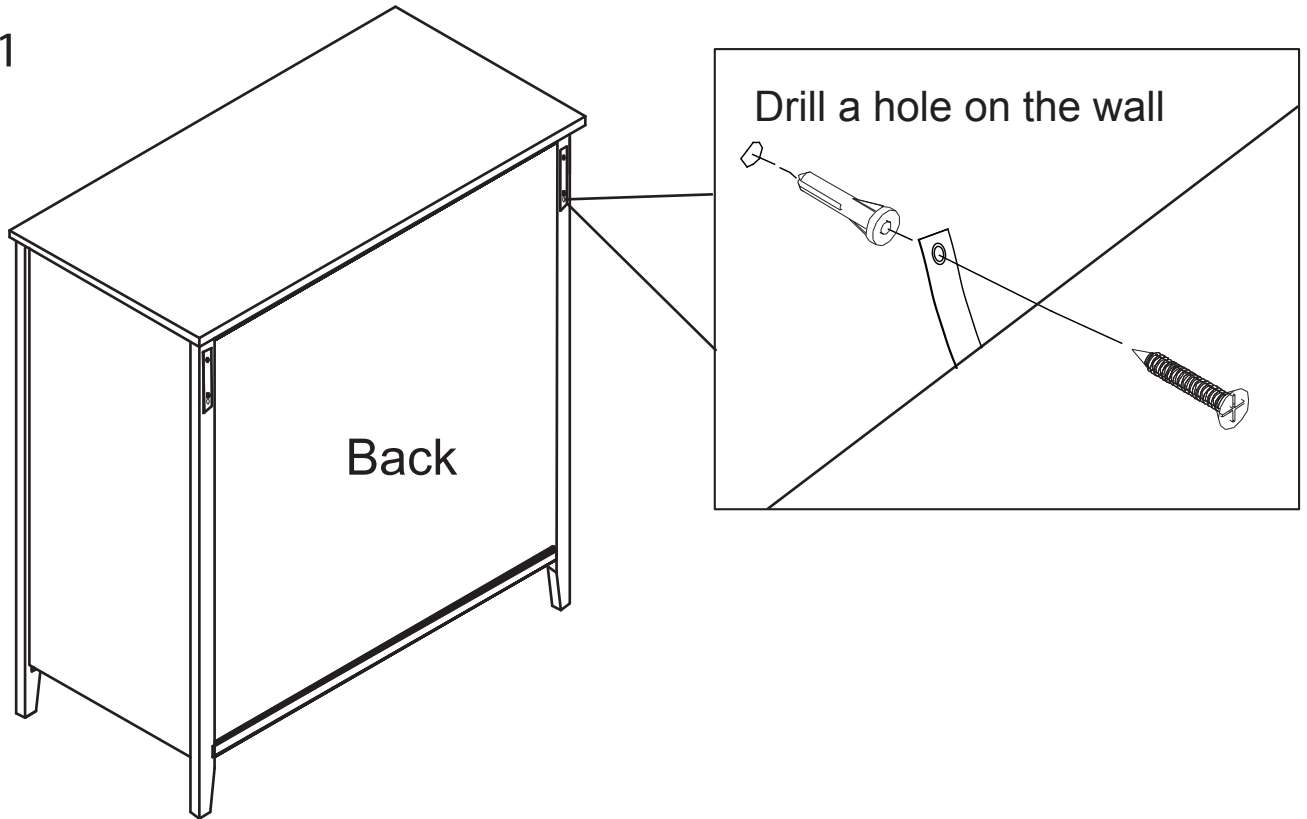
Parts



Assembly Instructions

Archer 6-drawer Dresser

Step: 1



---"IMPORTANT: The screw supplied with the anti topple strap is to be used only for fixing the anti topple strap to the furniture. In addition to this you will need to choose a screw or fitting which is suitable for securing the strap to the kind of wall that you have. If you are unsure about what type of screw to use, please contact your local hardware store."

Finished:

